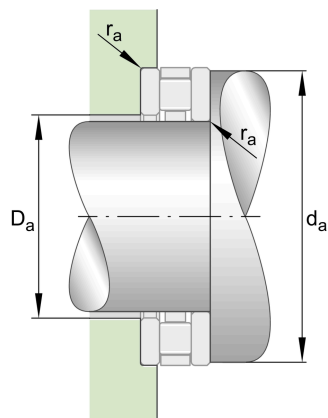
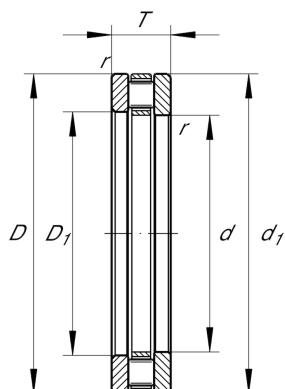
**81104-TV**

Axial cylindrical roller bearing

Schaeffler ID:
0002402650000Axial cylindrical roller bearings 811, single
direction, comprising K811, GS, WS

Technical information

**Main Dimensions & Performance Data**

d	20 mm	Bore diameter
D	35 mm	Outside diameter
T	10 mm	Height
C_a	24,900 N	Basic dynamic load rating, axial
C_{0a}	53,000 N	Basic static load rating, axial
C_{ua}	7,500 N	Fatigue load limit, axial
n_G	10,500 1/min	Limiting speed
n_{gr}	4,300 1/min	Reference speed
	34.2 g	Weight

Additional information

	K81104-TV	Axial roller and cage assembly
D_1	21 mm	Bore diameter housing washer
	GS81104	Housing Washer
d_1	35 mm	Rip diameter shaft washer
	WS81104	Shaft washer
	LS2035	Track Washer
r_{min}	0.3 mm	Minimum chamfer dimension

Mounting dimensions

$d_{a min}$	34 mm	Minimum diameter shaft shoulder
$D_{a max}$	21 mm	Maximum diameter of housing shoulder
$r_{a max}$	0.3 mm	Maximum recess radius

Temperature range

T_{min}	120 °C	Operating temperature min.
T_{max}	-30 °C	Operating temperature max.